

Igo **MA21**

 **product
guide**



features

- 3,968 lb. maximum capacity
- 85'-4" maximum operating hook radius
- 86'-7" maximum hook height with jib set at 20 degrees
- 63'-4" maximum hook height with jib horizontal
- Maniowoc Crane Care comprehensive Support
- Split counterweight

contents

Outline
Dimensions

2

Outline
Dimensions

3

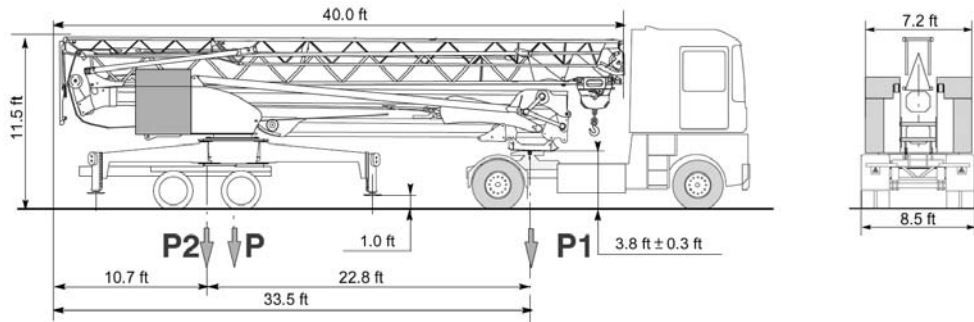
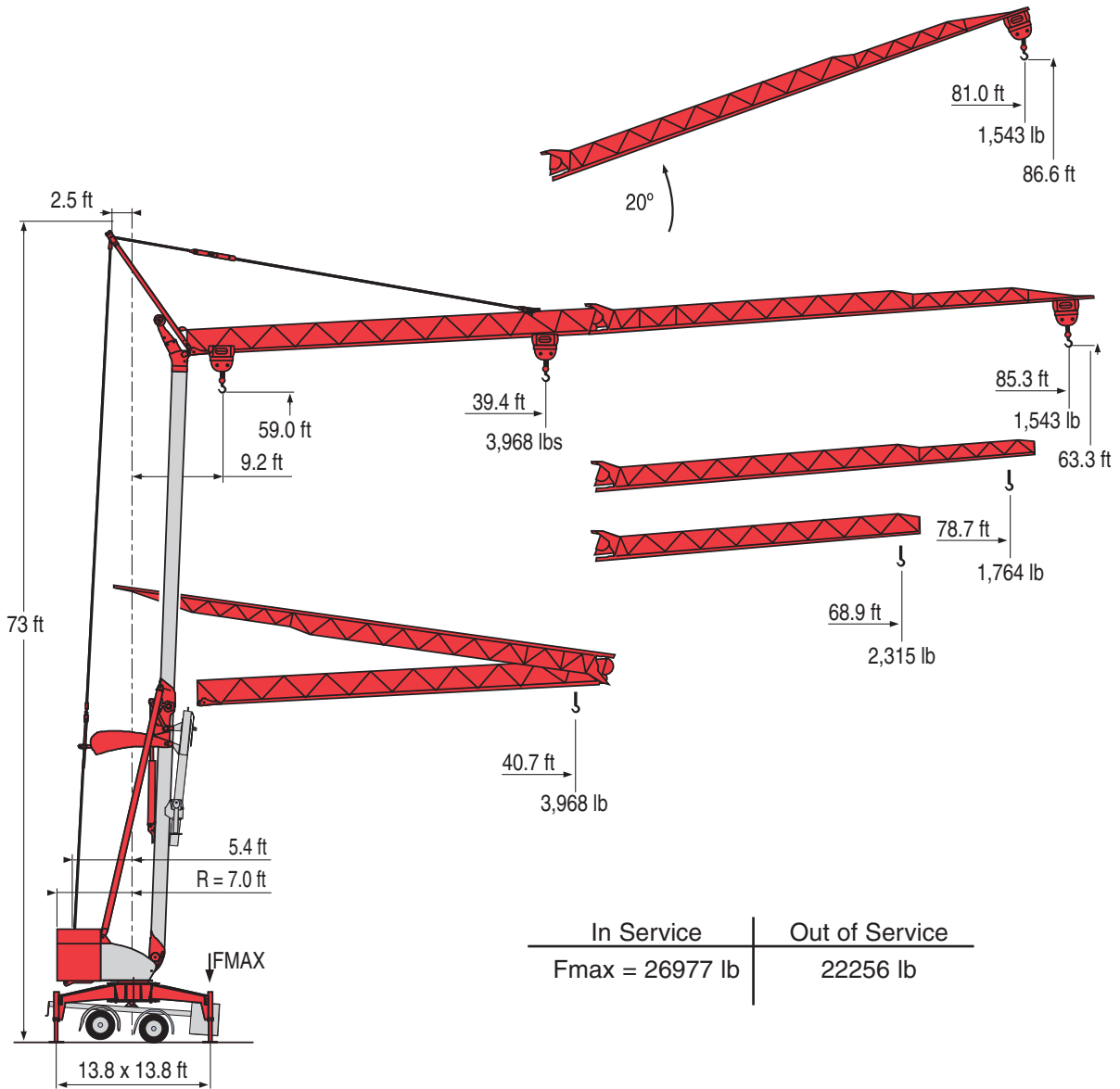
Rated Load
Charts
Mechanical Data

4

Crane Care

5

outline dimensions



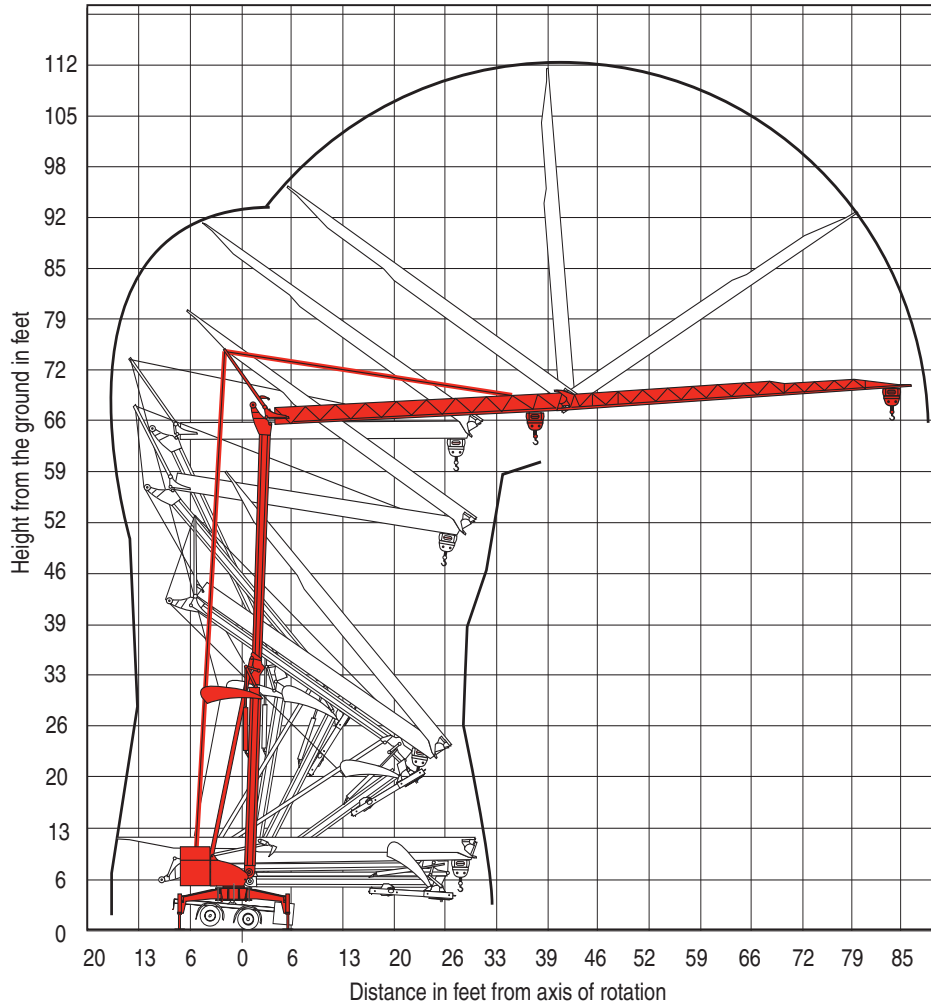
Transport Weights

In Transport:	Full Counterweight		Split Counterweight*	
	(pounds)	(kilograms)	(pounds)	(kilograms)
Gross (P)	40,278	18,270	34,480	15,640
Front (P1)	3,241	1,470	3,571	1,620
Rear (P2)	37,037	16,800	30,908	14,020

* 2 x 4,134 lb (1 260 kg) blocks removed

Igo MA21

outline dimensions



mechanical data

Igo MA21

Function	Hoist Type	Hoist Type	Speed vs Weight	2-part			Motor (hp)	Motor (kW)
				1st Gear	2nd Gear	3rd Gear		
Hoist	8 LVF 9 Optima	220 V 21 A single phase	ft/min lbs	12 3,968	23 3,968	60 1,543	3.3	2.4
		220 V 34 A single phase	ft/min lbs	12 3,968	37 3,968	83 1,543	5.2	3.8
		480 V	ft/min lbs	11 3,968	53 3,968	119 1,543	7.5	5.5
Trolley	1 DVF 4-1		ft/min	119 (1,543 lbs) / 92 (3,968 lbs)			1.5	1.1
Swing	RVF 20		rpm	1.0			1.5	1.1

Power Requirements: 220 V (+6% or -10%) 60 Hz measured at turn table.

Amperage: 8 LVF 9 (2.4 kW): 21 Amp (single phase)

Amperage: 8 LVF 9 (3.8 kW): 34 Amp (single phase)

Power Requirements: 480 V (+6% or -10%) 60 Hz measured at turn table.

Amperage: 8 LVF 9: 14 Amp (3 phase service with ground)

Igo MA21

rated load charts



Jib Configuration: L26 with maximum hook reach of 85'-4" set at horizontal

Hook Reach	9'-2"	39'-4"	42'-8"	45'-11"	49'-3"	52'-6"	55'-9"	59'-1"	62'-4"	65'-7"	68'-11"	72'-2"	75'-6"	78'-9"	82'-0"	85'-4"
Trolley	Capacities (lbs)															
2-Part	3,968	3,968	3,591	3,280	3,016	2,789	2,590	2,418	2,264	2,127	2,004	1,894	1,795	1,704	1,620	1,543

Maximum Hook Height at Jib Tip: H = 63'-4"
Maximum Hook Height at Jib Foot: H = 59'-1"



Jib Configuration: L24 with maximum hook reach of 78'-9" set at horizontal

Hook Reach	9'-2"	40'-4"	42'-8"	45'-11"	49'-3"	52'-6"	55'-9"	59'-1"	62'-4"	65'-7"	68'-11"	72'-2"	75'-6"	78'-9"
Trolley	Capacities (lbs)													
2-Part	3,968	3,968	3,710	3,389	3,117	2,884	2,679	2,500	2,341	2,200	2,075	1,960	1,858	1,764

Maximum Hook Height at Jib Tip: H = 63'-0"
Maximum Hook Height at Jib Foot: H = 59'-1"



Jib Configuration: L21 with maximum hook reach of 68'-11" set at horizontal

Hook Reach	9'-2"	44'-0"	45'-11"	49'-3"	52'-6"	55'-9"	59'-1"	62'-4"	65'-7"	68'-11"
Trolley	Capacities (lbs)									
2-Part	3,968	3,968	3,765	3,466	3,206	2,981	2,784	2,610	2,454	2,315

Maximum Hook Height at Jib Tip: H = 62'-4"
Maximum Hook Height at Jib Foot: H = 59'-1"

Jib Configuration: L26 with maximum hook reach of 40'-8" set at horizontal

Hook Reach	9'-2"	40'-8"
Trolley	Capacities (lbs)	
2-Part	3,968	3,968

Maximum Hook Height at Jib Tip: H = 60'-3"
Maximum Hook Height at Jib Foot: H = 59'-1"

Jib Configuration: L24 with maximum hook reach of 40'-8" set at horizontal

Hook Reach	9'-2"	40'-8"
Trolley	Capacities (lbs)	
2-Part	3,968	3,968

Maximum Hook Height at Jib Tip: H = 60'-3"
Maximum Hook Height at Jib Foot: H = 59'-1"

Jib Configuration: L21 with maximum hook reach of 40'-8" set at horizontal

Hook Reach	9'-2"	40'-8"
Trolley	Capacities (lbs)	
2-Part	3,968	3,968

Maximum Hook Height at Jib Tip: H = 60'-3"
Maximum Hook Height at Jib Foot: H = 59'-1"

Jib Configuration: L26 with maximum hook reach of 81'-0" set at 20°

Hook Reach	9'-2"	81'-0"
Trolley	Capacities (lbs)	
2-Part	1,543	1,543

Maximum Hook Height at Jib Tip: H = 86'-7"
Maximum Hook Height at Jib Foot: H = 59'-1"

Jib Configuration: L24 with maximum hook reach of 74'-10" set at 20°

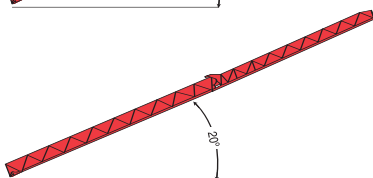
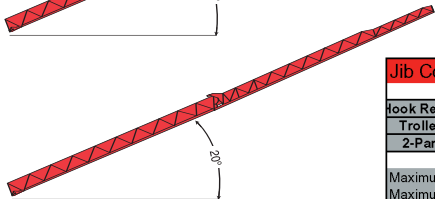
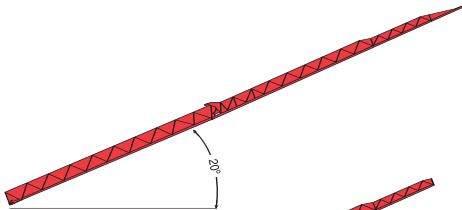
Hook Reach	9'-2"	74'-10"
Trolley	Capacities (lbs)	
2-Part	1,543	1,543

Maximum Hook Height at Jib Tip: H = 84'-4"
Maximum Hook Height at Jib Foot: H = 59'-1"

Jib Configuration: L21 with maximum hook reach of 65'-7" set at 20°

Hook Reach	9'-2"	65'-7"
Trolley	Capacities (lbs)	
2-Part	1,543	1,543

Maximum Hook Height at Jib Tip: H = 81'-0"
Maximum Hook Height at Jib Foot: H = 59'-1"



Crane Care

Crane Care is Manitowoc's complete service and support program. Incorporated into this program are service training, immediate parts availability, professional field service, and technical support and documentation. Crane Care is available for every one of the thousands of cranes operating all over the world.

That's dedication and devotion that you won't get anywhere else.

That's **Crane Care**.

Service Training

A certified Manitowoc service specialist works with you in your training facility or in the field to ensure that you know how to achieve maximum performance, dependability, and years from your cranes.

A reputable Manitowoc Service technician comes to you to provide valuable training to all distributors on the crane's LMI system.

Parts Availability

Genuine Manitowoc replacement parts may be obtained through your MCG distributor on a regular basis.

Field Service

Factory-trained service experts are always ready to help maintain your crane's peak performance.

For a worldwide listing of dealer locations, please consult our website at:
www.manitowoc.com.

Technical Support

Manitowoc's dealer network and factory personnel are available 24 hours a day, 7 days a week, 365 days a year to answer your technical questions and more.

For a worldwide listing of dealer locations, please consult our website at:
www.manitowoc.com.

Technical Documentation

Manitowoc boasts an extensive, easy-to-understand library of documentation.

A complete set of Operator's parts and service manuals are included with each crane.

Additional copies are available through your Authorized Manitowoc Distributor.

Regional Headquarters

Americas

Manitowoc, Wisconsin, USA

Tel: +1 920 684 6621
Fax: +1 920 683 6278

Shady Grove, Pennsylvania, USA

Tel: +1 717 597 8121
Fax: +1 717 597 4062

Regional Offices

Americas

Brazil

Alphaville

Tel: +55 11 3103 0200
Fax: +55 11 4688 2013

Mexico

Monterrey

Tel: +52 81 8124 0128
Fax: +52 81 8124 0129

Europe, Middle East, Africa

Algeria

Hydra

Tel: +21 3 21 48 1173
Fax: +21 3 21 48 1454

Czech Republic

Netvorice

Tel: +420 317 78 9313
Fax: +420 317 78 9314

France

Baudemont

Tel: +33 385 28 2589
Fax: +33 385 28 0430

Cergy

Tel: +33 130 31 3150
Fax: +33 130 38 6085

Decines

Tel: +33 472 81 5000
Fax: +33 472 81 5010

Germany

Langenfeld

Tel: +49 21 73 8909-0
Fax: +49 21 73 8909 30

Hungary

Budapest

Tel: +36 13 39 8622
Fax: +36 13 39 8622

Italy

Parabiago

Tel: +390 331 49 3311
Fax: +390 331 49 3330

Europe, Middle East, Africa

Ecully, France

Tel: +33 472 18 2020
Fax: +33 472 18 2000

Netherlands

Breda

Tel: +31 76 578 3999
Fax: +31 76 578 3978

Poland

Warsaw

Tel: +48 22 843 3824
Fax: +48 22 843 3471

Portugal

Alfena

Tel: +351 229 69 8840
Fax: +351 229 69 8848

Lisbon

Tel: +351 212 109 340
Fax: +351 212 109 349

Russia

Moscow

Tel: +7 495 641 2359
Fax: +7 495 641 2358

U.A.E.

Dubai

Tel: +971 4 3381 861
Fax: +971 4 3382 343

U. K.

Middlesex

Tel: +44 1 895 43 0053
Fax: +44 1 895 45 9500

Sunderland

Tel: +44 191 522 2000
Fax: +44 191 522 2052

Asia – Pacific

Australia

Brisbane

38 Suscatand Street
Rocklea Queensland 4106
Tel: +617 3274 5879
Fax: +617 3274 6558

Melbourne

1/46 Venture Drive
Sunshine West VIC 3020
Tel: +(03) 9336 1322
Fax: +(03) 9336 1300

Asia – Pacific

Shanghai, China

Tel: +86 21 51113579
Fax: +86 21 51113578

Singapore

Tel: +65 6264 1188
Fax: +65 6862 4142

China

Beijing

Tel: +86 10 58674761
Fax: +86 10 58674760

Xi'an

Tel: +86 29 87891465
Fax: +86 29 87884504

Korea

Seoul

Tel: +82 2 3439 0400
Fax: +82 2 3439 0405

Philippines

Makati City

Tel: +63 2 844 9437
Fax: +63 2 844 4712

Factories

Brazil

Alphaville

China

Zhangjiagang

France

Charlieu
La Clayette
Moulins

Germany

Wilhelmshaven

India

Calcutta
Pune

Italy

Niella Tanaro

Portugal

Baltar
Fânzeres

Slovakia

Saris

U.S.A.

Manitowoc
Port Washington
Shady Grove

Constant improvement and engineering progress make it necessary that we reserve the right to make specification, equipment and price changes without notice. Illustrations shown may include optional equipment and accessories, and may not include all standard equipment.